

**Performance**

|                           |           |
|---------------------------|-----------|
| Lifting height            | 5800.0 mm |
| Rated capacity            | 3000 kg   |
| Capacity (at max. height) | 2500 kg   |
| Capacity (at max. reach)  | 1250 kg   |
| Max. reach                | 3100.0 mm |
| Crowding force            | 4600 daN  |

**Weights**

|                  |         |
|------------------|---------|
| Weight (unladen) | 5220 kg |
|------------------|---------|

**Traction**

|                                       |                         |
|---------------------------------------|-------------------------|
| Standard tyres                        | Standard 405/70x20 14PR |
| 1st gear / low range (40 km/h option) | 10 (10) km/h            |

**Drive System**

|              |  |
|--------------|--|
| Main drive   | Hydrostatic motor                      |
| Transmission | Hydrostatic with electronic regulation |

**Engine**

|  |                  |
|--|------------------|
| Make / Model                             | Deutz TCD 3.6 L4 |
| Fuel                                     | Diesel           |
| Cooling                                  | Liquid           |
| Rated power (ISO 14396:2002) at 2200 RPM | 74.4 kW          |
| Maximum torque at 1400 RPM               | 410.0 Nm         |
| Number of cylinders                      | 4                |
| Displacement                             | 3.62 L           |

**Hydraulic System**

|           |                         |
|-----------|-------------------------|
| Pump type | Gear pump with LS valve |
|-----------|-------------------------|

**Cycle Times**

|   |       |
|---|-------|
| Lift time - no load                         | 5.3 s |
| Lower time - no load                        | 4.0 s |
| Telescope in time at max. reach - no load   | 3.6 s |
| Telescope in time at max. height - no load  | 3.6 s |
| Telescope out time at max. reach - no load  | 5.0 s |
| Telescope out time at max. height - no load | 5.0 s |

**Brakes**

|                             |                                       |
|-----------------------------|---------------------------------------|
| Engine braking              | Hydrostatic                           |
| Parking and emergency brake | Negative brake with hydraulic command |

**Fluid Capacities**

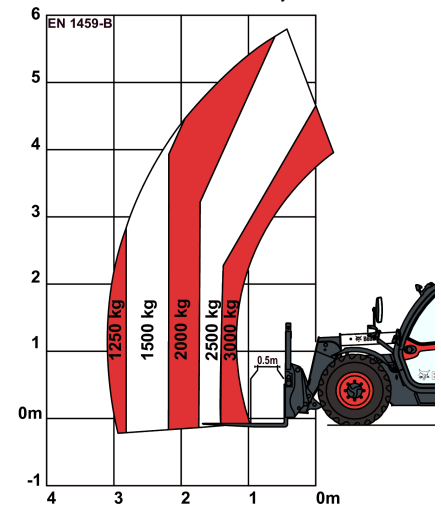
|                     |          |
|---------------------|----------|
| Fuel tank           | 115.00 L |
| Hydraulic reservoir | 47.00 L  |

**Environmental**

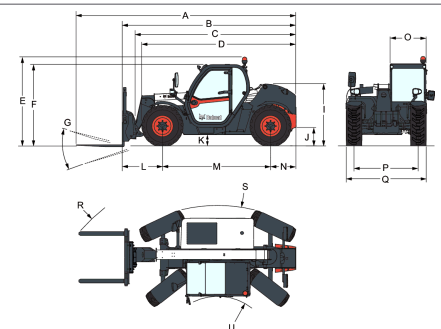
|   |                       |
|---|-----------------------|
| Operator noise level (LpA) (EN 12053)             | 77 dB(A)              |
| Operator noise level (LpA) (EN 12053) uncertainty | 4 dB(A)               |
| Whole body vibration (EN 13059)                   | 1.70 ms <sup>-2</sup> |
| Whole body vibration uncertainty (EN 13059)       | 0.50 ms <sup>-2</sup> |

**Load Charts**

With forks and standard 405/70x20 tyres



Complies with stability test EN1459 annex B

**Dimensions**


|     |           |     |           |
|-----|-----------|-----|-----------|
| (-) | 857.0 mm  | (L) | 1020.0 mm |
| (A) | 5707.0 mm | (M) | 2820.0 mm |
| (B) | 4507.0 mm | (N) | 667.0 mm  |
| (C) | 4400.0 mm | (O) | 930.0 mm  |
| (D) | 4035.0 mm | (P) | 1700.0 mm |
| (E) | 2290.0 mm | (Q) | 2100.0 mm |
| (F) | 2100.0 mm | (R) | 4812.0 mm |
| (G) | 136.0°    | (S) | 3717.0 mm |
| (I) | 1587.0 mm | (U) | 1383.0 mm |
| (J) | 264.0 mm  |     |           |